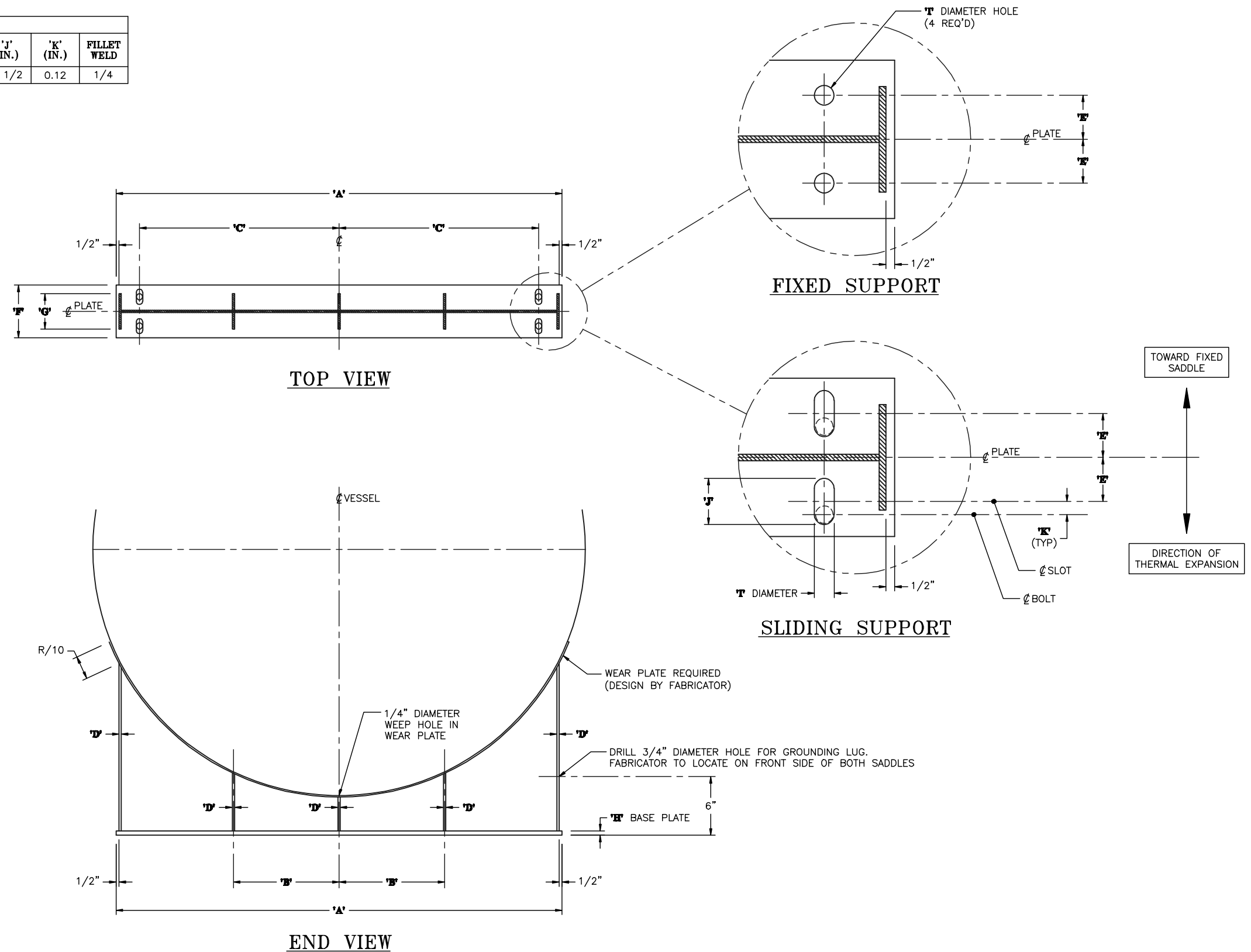


DATA TABLE												
VESSEL DIAMETER	'A' (IN.)	'B' (IN.)	'C' (IN.)	'D' (MIN.)	'E' (IN.)	'F' (IN.)	'G' (IN.)	'H' (IN.)	'I' (IN.)	'J' (IN.)	'K' (IN.)	FILLET WELD
7'-6"	81	20	36 1/2	3/8	2 1/2	9	6	3/4	1 1/8	1 1/2	0.12	1/4

NOTES:

1. MATERIALS TO BE PER 'GENERAL NOTES' DRAWING.
2. SEE 'GENERAL ARRANGEMENT' DRAWING FOR LOCATION OF FIXED AND SLIDING SUPPORTS.
3. ALL WELDS TO BE CONTINUOUS.



THIS DOCUMENT AND THE INFORMATION IT CONTAINS HAVE BEEN FURNISHED FOR USE BY YOUR OWN ORGANIZATION ONLY AND FOR PURPOSE CONSISTENT WITH THE TRANSACTION BETWEEN YOUR ORGANIZATION AND KANSAS CITY DEAERATOR, INC. NO COPIES OF OR DATA FROM THIS DOCUMENT SHALL BE FURNISHED TO ANY THIRD PARTY WITHOUT THE WRITTEN AGREEMENT OF KANSAS CITY DEAERATOR, INC. OVERLAND PARK, KANSAS 66209

NO.	DATE	DESCRIPTION OF CHANGE
1	1/22/09	ISSUED FOR APPROVAL

CLIENT: **eSolar**
LANCASTER, CALIFORNIA
P.O. #7279-01

KANSAS CITY DEAERATOR, INC.
6731 W. 121st STREET
OVERLAND PARK, KANSAS 66209
(913) 338-2111 FAX (913) 338-2144

JOB #	SCALE	DESIGNED	DRAWN	CHECKED	DATE	UTD
091980	NTS	JR	GENI	PC	1/22/2009	1/22/2009

TITLE: **STORAGE TANK SUPPORT SADDLE**
MODEL: STORAGE TANK SDS6-75E

DWG. NO.: **SD19801**