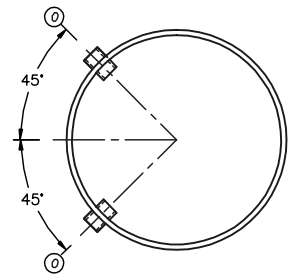
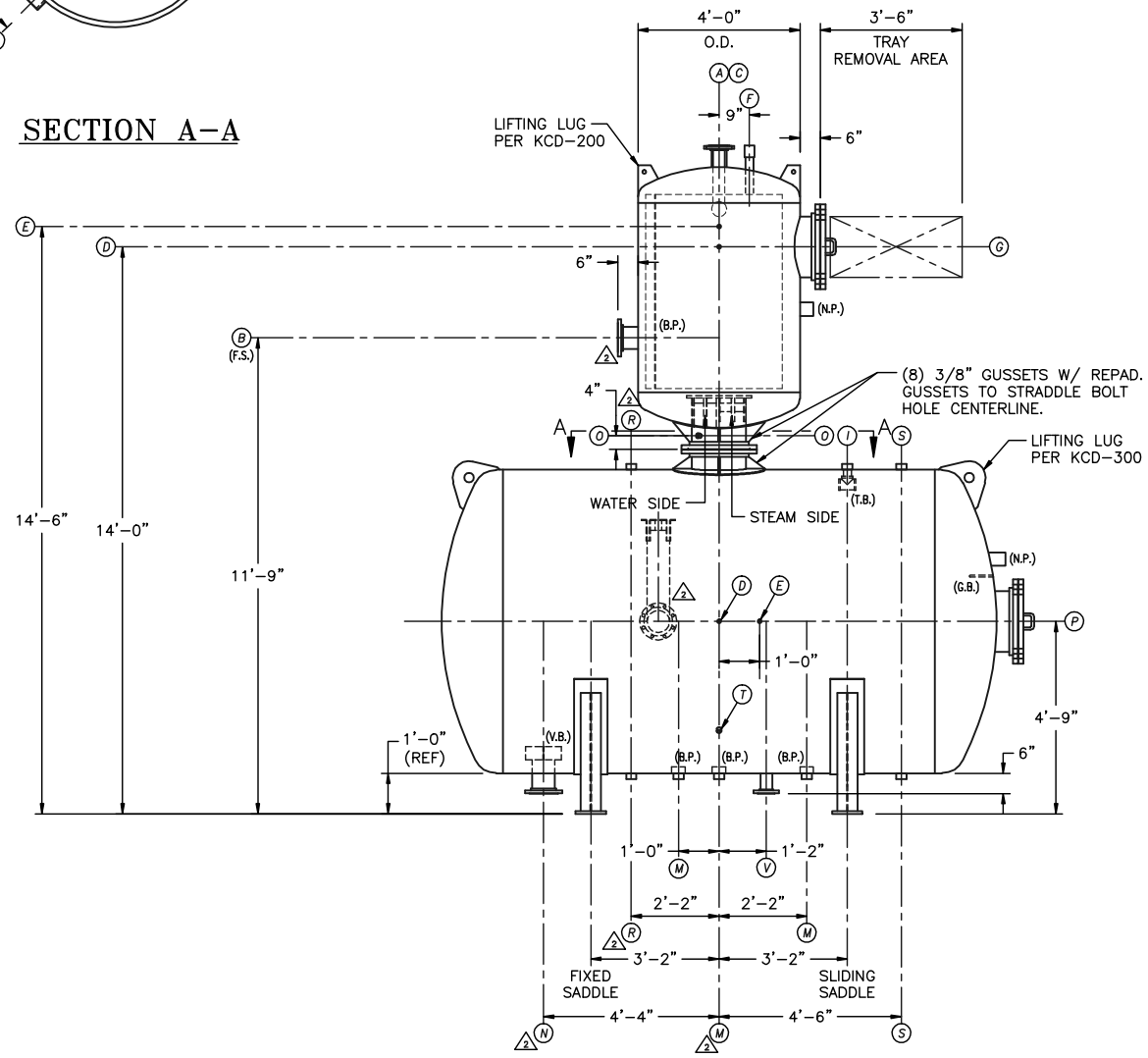


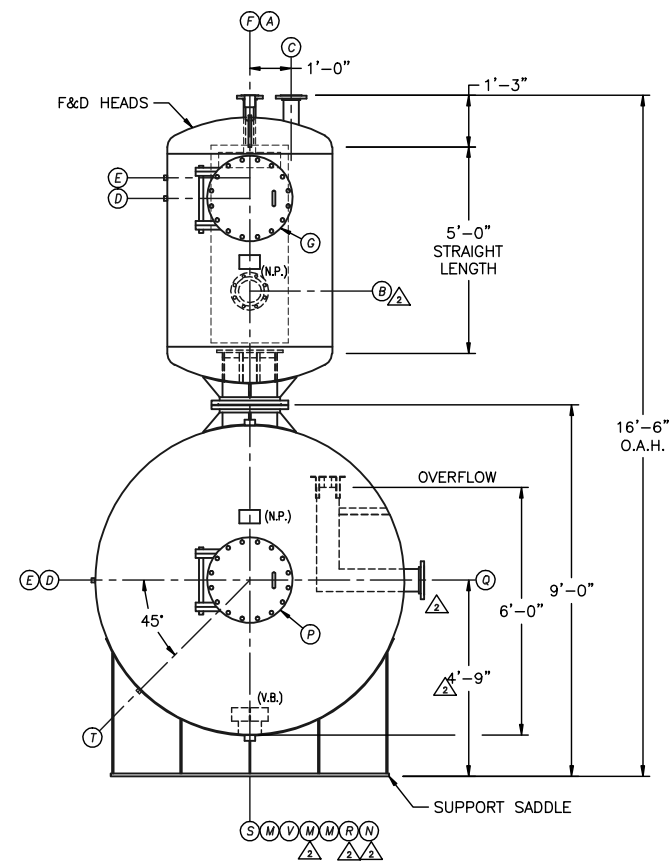
TOP VIEW



SECTION A-A



FRONT VIEW



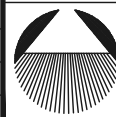
END VIEW

- NOTES:**
- SEE CONNECTION SCHEDULE FOR NOZZLE DESCRIPTIONS.
  - STRAIGHT LENGTHS ARE APPROXIMATE. OVERALL LENGTH (OAL) IS TO BE HELD.
  - FOR MISCELLANEOUS DETAILS SEE MD DRAWINGS
  - DIMENSIONS ARE GIVEN FROM CENTER LINE OF TANKS TO NOZZLE CENTER LINE OR OUTSIDE FACE OF FLANGE.
  - G.B. = GRAB BAR      D.S. = DRIP SHIELD  
V.B. = VORTEX BREAKER      N.S. = NEAR SIDE  
N.P. = NAME PLATE      T.B. = TEE BAFFLE  
F.S. = FAR SIDE      C.L. = CENTER LINE  
B.P. = BAFFLE PLATE

THIS DOCUMENT AND THE INFORMATION IT CONTAINS HAVE BEEN FURNISHED FOR USE BY YOUR OWN ORGANIZATION ONLY AND FOR PURPOSE CONSISTENT WITH THE TRANSACTION BETWEEN YOUR ORGANIZATION AND KANSAS CITY DEAERATOR, INC. NO COPIES OF OR DATA FROM THIS DOCUMENT SHALL BE FURNISHED TO ANY THIRD PARTY WITHOUT THE WRITTEN AGREEMENT OF KANSAS CITY DEAERATOR, INC. OVERLAND PARK, KANSAS 66209

NO.	DATE	DESCRIPTION OF CHANGE	BY
3	2/05/09	"V" NOZZLE MOVED OUTWARD FROM 1'-0" TO 1'-2".	JR
2	2/03/09	ROTATED STEAM NOZZLE 90° CCW AROUND HEATER. MOVED SUCTION "N" OUT TO 4'-4" OFF CENTERLINE. MOVED OUTSIDE "M" NOZZLE TO THE CENTERLINE. MOVED "R" NOZZLES FROM 4'-6" OFF CENTERLINE TO 2'-2" OFF CENTERLINE. MOVED NOZZLE "Q" FROM THE HEAD TO THE SIDE OF VESSEL 1'-6" OF CENTER.	JR
1	1/22/09	ISSUED FOR APPROVAL	GENI

CLIENT: **eSolar**  
LANCASTER, CALIFORNIA  
P.O. #7279-01



**KANSAS CITY DEAERATOR, INC.**  
6731 W. 121st STREET  
OVERLAND PARK, KANSAS 66209  
(913) 338-2111 FAX (913) 338-2144

JOB #	SCALE	DESIGNED	DRAWN	CHECKED	DATE	UTD
091980	NTS	JR	GENI	PC	1/22/2009	2/05/2009
TITLE:		GENERAL ARRANGEMENT				
MODEL:		BDS74-7511				
DWG. NO.:		GA19802				